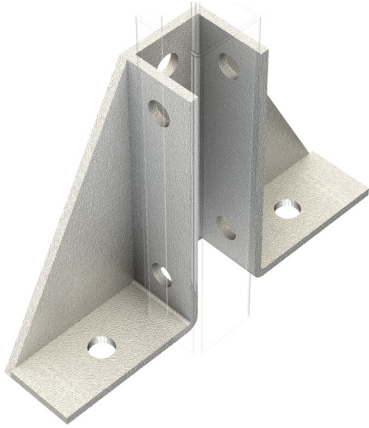


PRODUCT CODE: MP36
CHANNEL BRACKET



DESCRIPTION

Single Channel Gusset Base Plate

FINISH

Hot Dipped Galvanised

MATERIAL

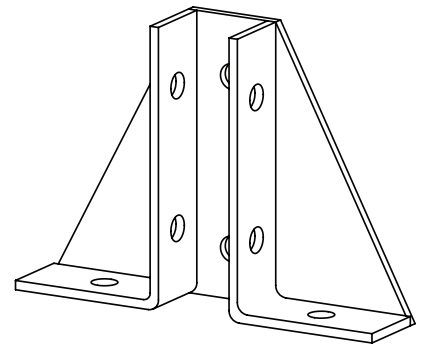
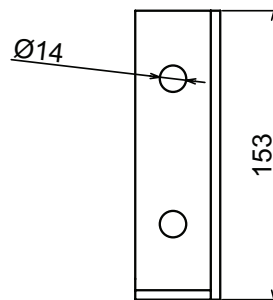
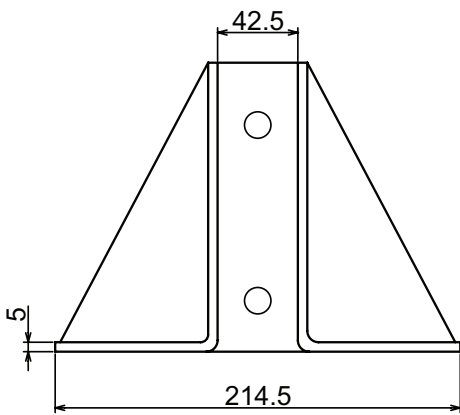
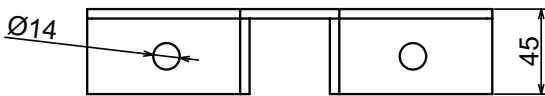
Steel

PACKAGING

Packed in qty 1

ADDITIONAL NOTES

Compliant to LU Standard 1-085 (for use on surface & sub-surface locations)



Values are nominal and with a general tolerance $\pm 5\%$ unless otherwise specified